



What's new in PolyWorks® 2018

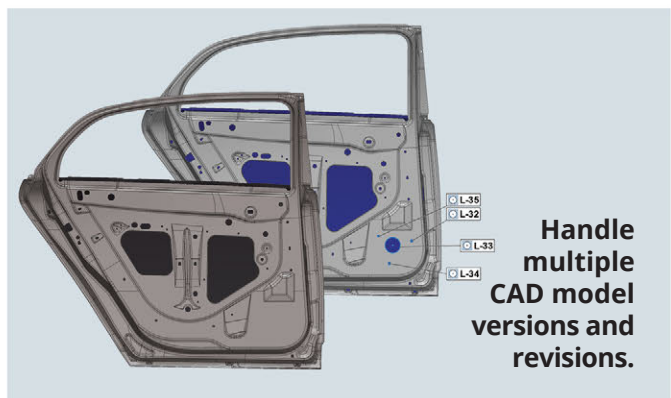
Universal Inspection Projects

Deploy **ONE** inspection project with **ALL** your 3D measurement devices

PolyWorks 2018 brings 3D metrology hardware interoperability to the next level. It empowers users to create and deliver shop-floor-ready inspection projects that are directly playable with all portable and CNC CMM 3D measurement devices.

Maximize the use of all your 3D measurement devices and minimize the risk of operator errors by creating and embedding multiple piece measurement templates within a single inspection project!

With piece measurement templates, preconfigure an inspection project to:



Universal inspection projects ensure total flexibility for the overall work organization of your 3D metrology processes.

Universal 3D Metrology Workflow

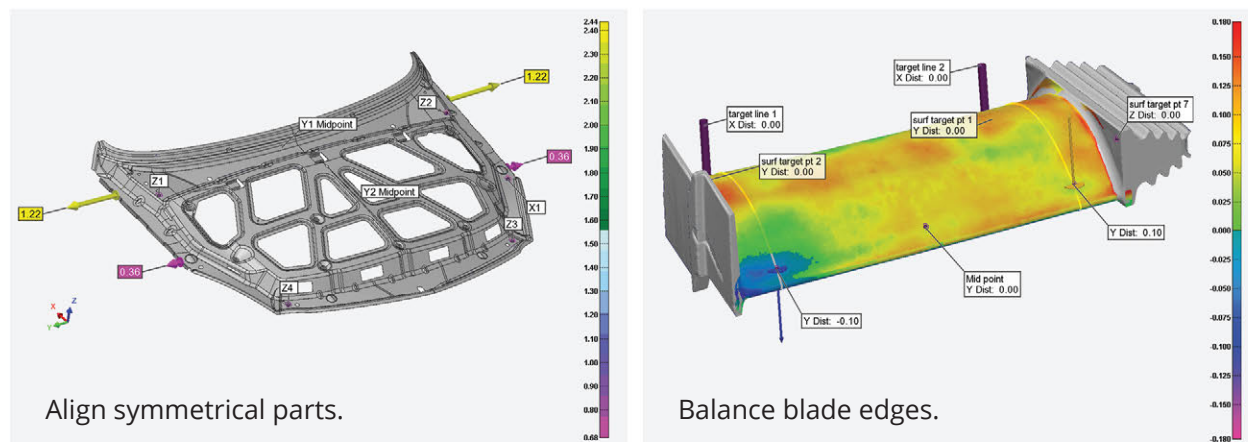
Perform all inspection tasks using a common workflow



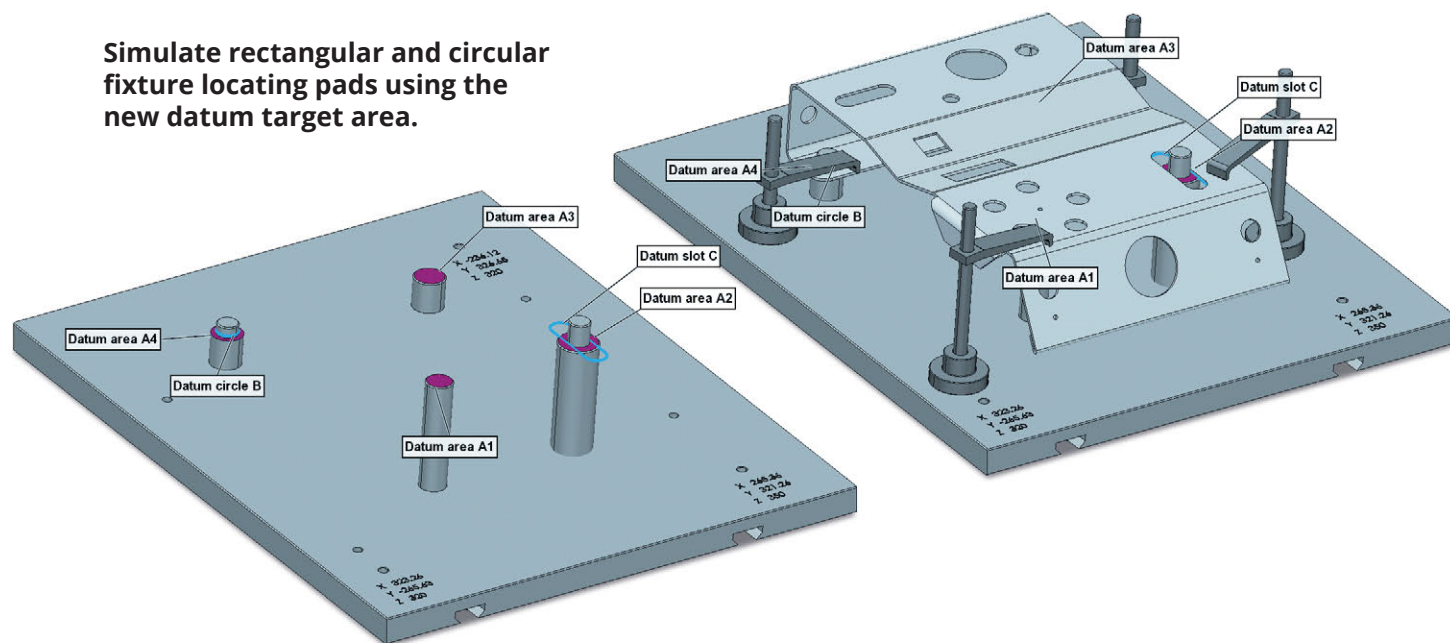
Enhanced alignment toolbox

PolyWorks 2018 reference target and datum target alignment techniques are more powerful and more complete:

Balance part deviations using the integrated iterative alignment with reference targets bound to constructed features.



Simulate rectangular and circular fixture locating pads using the new datum target area.

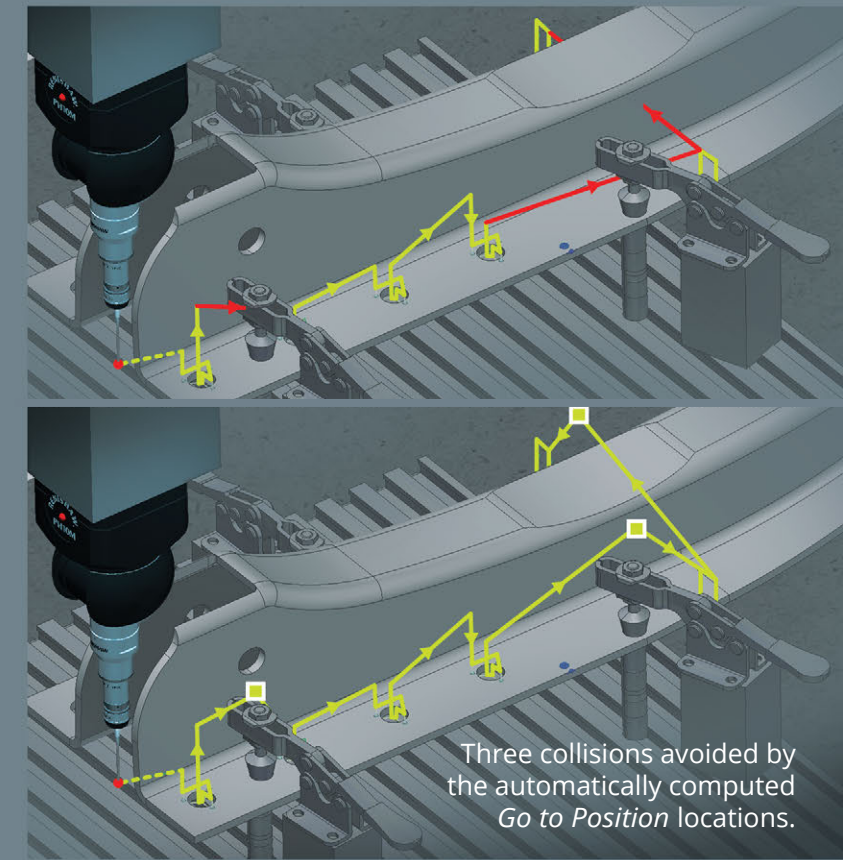


Universal Digitizing Hub

Interface with all 3D measurement devices

Smart collision avoidance for CNC CMMs

PolyWorks 2018 adds new measurement sequence fixers to the powerful real-time collision analysis technology. These tools allow inserting automatically computed *Go to Position* locations that modify the CMM measurement path in an optimal way as to prevent detected potential collisions.



Robust measurement sequences for CNC CMMs

PolyWorks 2018 offers intelligent solutions for measuring deformed, incorrectly aligned, or deviated parts without operator intervention:

Search hole
Triggers a spiral search when a hole is not located at its nominal position to estimate the actual hole location, and restarts hole measurement from the estimated location.

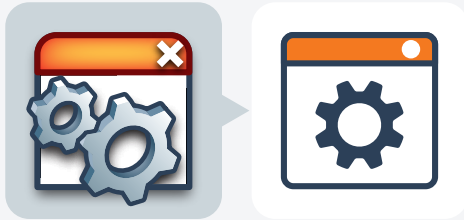
Locate hole center
Measures 3 points to estimate the actual hole location, translates the measurement zone to the center of the actual hole, and launches hole measurement.

Measure relative to other objects
Adjusts the position of the measurement zone based on the deviations of objects that are already measured.

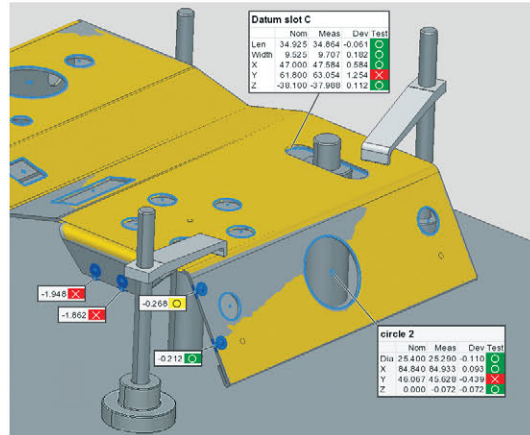
User Experience

Enhanced usability and performance

The improved discoverability, ease of use, and performance of tools in PolyWorks 2018 promote valuable gains in user productivity:



Simplified icons assure quick recognition, while retaining the original icon concepts.



Colors are used to focus attention and better communicate results.

A screenshot of the PolyWorks software interface showing a 3D scene with a table of measurement data for 'circle 1'. Above the table are icons for pan, lock, edit, and visibility. The table has columns for Nom, Meas, Dev, and Test, with status indicators (green circles for pass, red X for fail) in the Test column.

| | Nom | Meas | Dev | Test |
|-----|--------|--------|--------|------|
| Dia | 12.700 | 12.708 | 0.008 | ○ |
| X | 86.000 | 85.999 | -0.001 | ○ |
| Y | 25.400 | 25.469 | 0.069 | ✗ |
| Z | 97.112 | 97.107 | -0.005 | ○ |

Intuitive annotation positioning and editing tools directly in the 3D Scene.

Two circular icons representing PolyWorks Inspector (orange) and PolyWorks Modeler (green). A pair of glasses is superimposed over the icons, symbolizing the transfer of geometry between the two applications.

PolyWorks Inspector PolyWorks Modeler

Single-click geometry transfer between products.

© 2018 InnovMetric Software Inc. All rights reserved. PolyWorks® is a registered trademark of InnovMetric Software Inc. InnovMetric, PolyWorks | Inspector, PolyWorks | Modeler, PolyWorks | Talisman, PolyWorks | Reviewer, and "The Universal 3D Metrology Software Platform" are trademarks of InnovMetric Software Inc. SmartGD&T is a trademark of Multi Metrics Inc. All other trademarks are the property of their respective owners.



Corporate Headquarters:

innovmetric
Your 3D Metrology Software Partner

InnovMetric Software Inc.
2014 Cyrille-Duquet, Suite 310, Québec QC G1N 4N6 Canada
Phone: 1-418-688-2061 | 1-888-688-2061
info@innovmetric.com | www.innovmetric.com